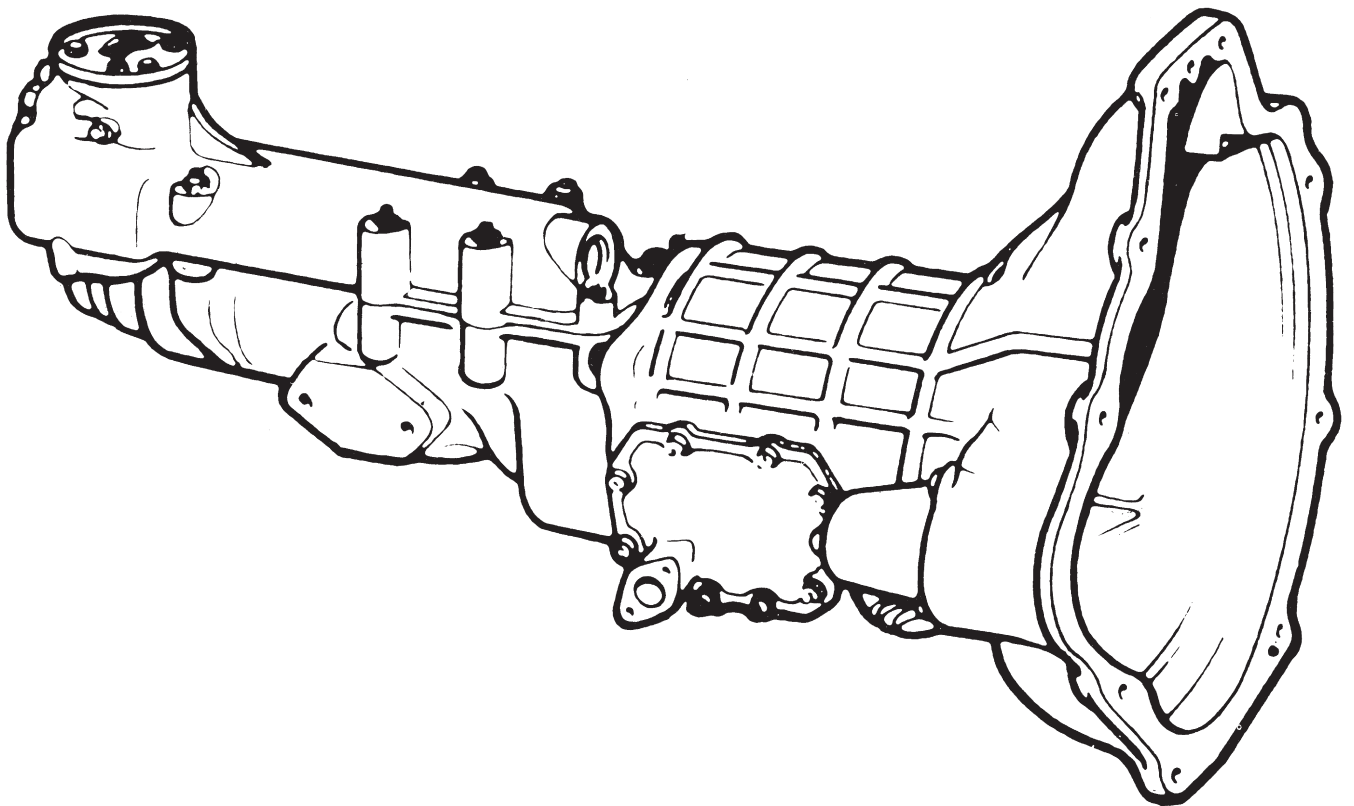
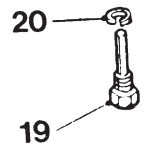
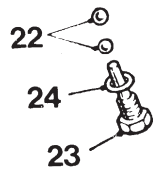
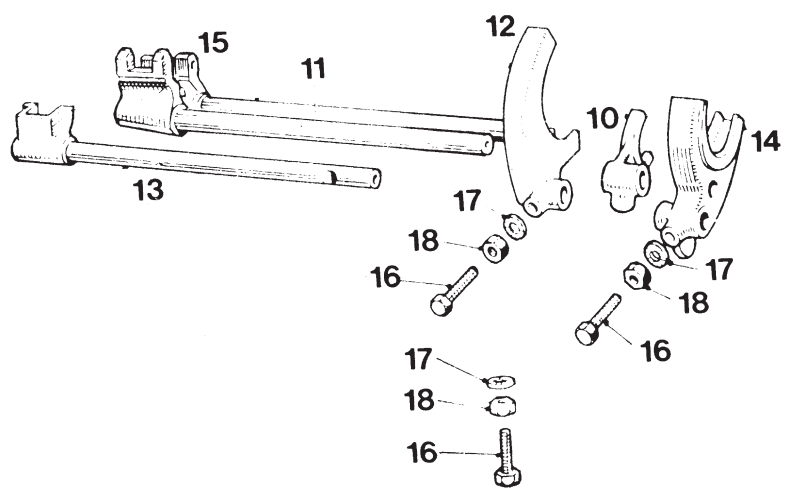
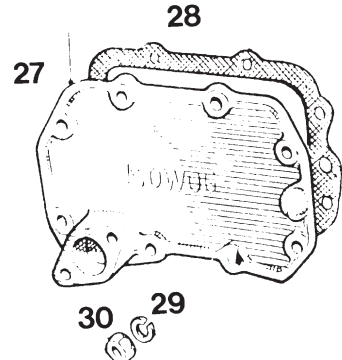
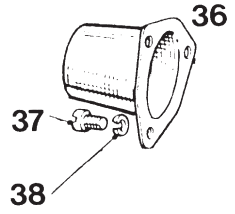
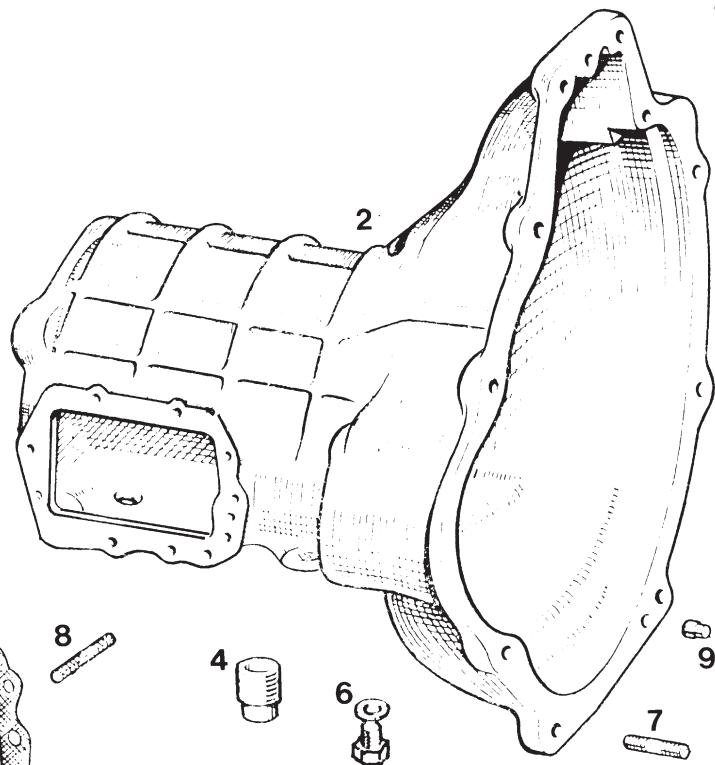
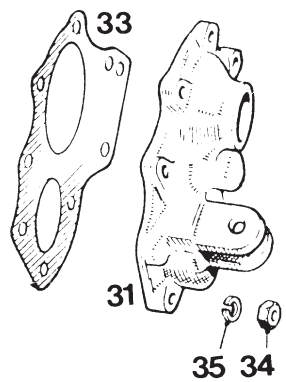
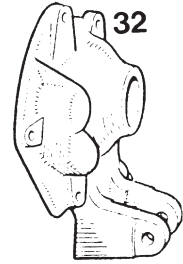
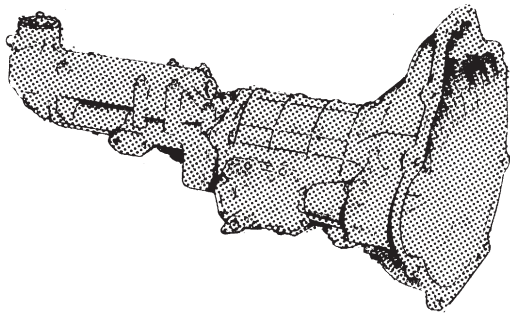
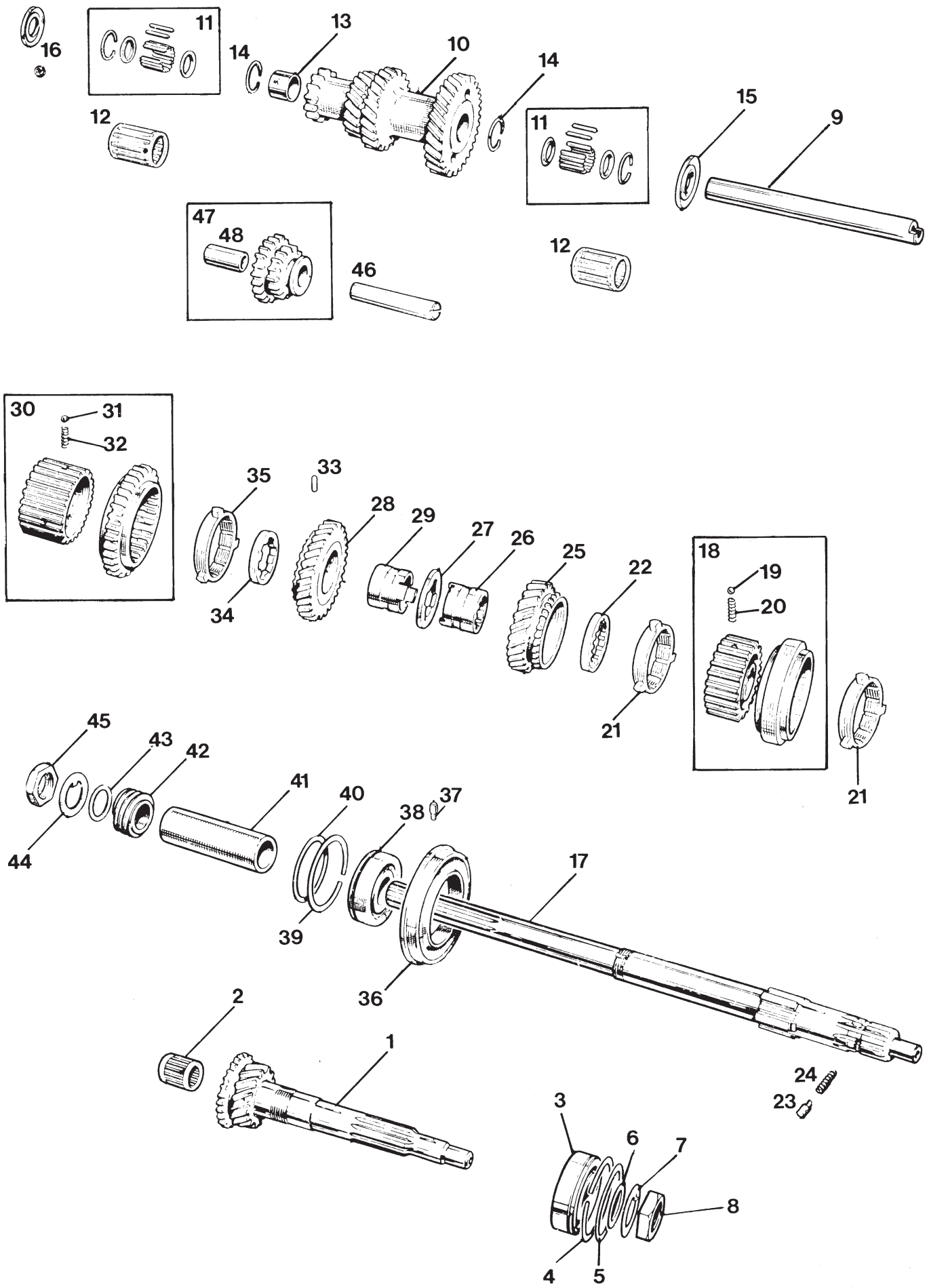


1098cc

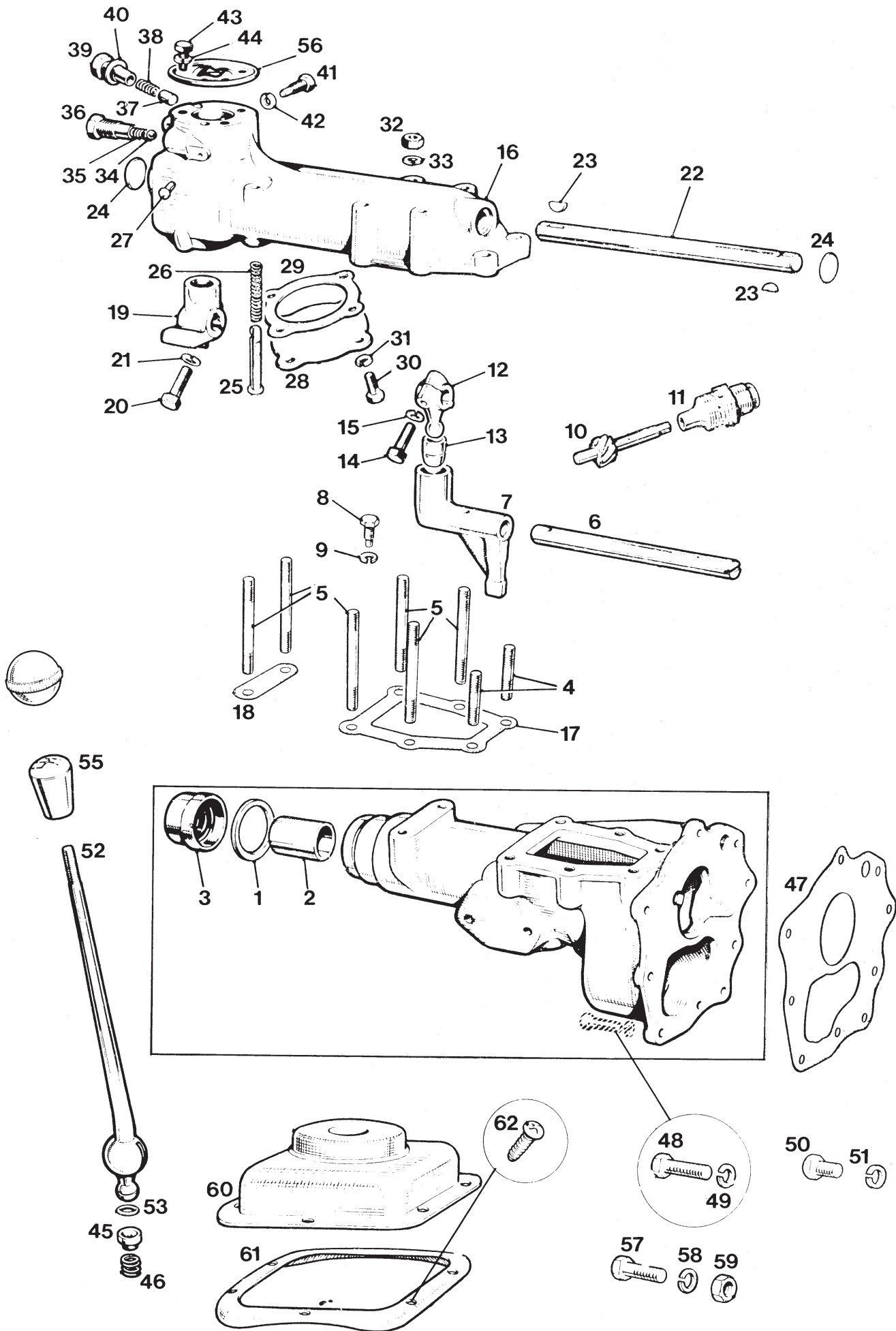




Part Number	ESM Order Ref.	Illus. No.	Description	Remarks
10G102	10G102SH	2	Case assembly	
10G103	10G103	3	Plug - oil filler	
10G103	10G103	4	Plug - oil drain	
10G105	10G105SH	5	Plug - reverse plunger	
10G106	10G106	6	Washer - plug	
10G107	10G107	7	Stud - front cover	
10G108	10G107	8	Stud - side cover	
10G109	10G109	9	Dowel	
10G110	10G110	10	Fork - reverse	
10G111	10G111	11	Rod - reverse fork	
10G112	10G112	12	Fork - first and second speed	
10G113	10G113SH	13	Rod - first and second speed fork	
10G114	10G114	14	Fork - third and fourth speed	
10G115	10G115	15	Rod - third and fourth speed fork	
10G116	10G116	16	Screw - fork locating	
10G117	FIX156	17	Washer - shakeproof - 1/4"	
10G118	FIX137	18	Nut - 1/4" UNF	
10G119	10G119	19	Screw - locking - reverse shaft	
10G120	FIX156	20	Washer - spring - 1/4"	
10G121	10G121	21	Plunger - interlocking	
10G122	10G122	22	Ball - interlocking	
10G123	10G123SH	23	Plug - interlocking - ball hole	
10G124	10G106	24	Washer - plain	
10G125	10G125SH	25	Plunger - fork end	
10G126	10G126	26	Spring - plunger	
10G127	10G127SH	27	Cover - side	
10G128	10G128	28	Gasket - side cover	
10G129	FIX156	29	Washer - spring - 1/4"	
10G130	FIX137	30	Nut - 1/4" UNF	
10G131	10G131	31	Cover - front - RHD - with oil seal modification	
10G132	10G132	32	Cover - front - LHD - with oil seal modification	
10G133	22G165	33	Gasket	
10G134	FIX137	34	Nut - 1/4" UNF	
10G135	FIX156	35	Washer - spring - 1/4"	
10G136	10G136SH	36	Cover - starter pinion	
10G137	10G137	37	Screw	
10G138	FIX156	38	Washer - spring - 1/4"	
10G300	22G166	-	Lever - clutch withdrawal	



Part Number	ESM Order Ref.	Illus. No.	Description	Remarks
10G139	10G139SH	1	Shaft - first motion	
10G140	10G140	2	Bearing - third motion shaft	
10G141	10G141	3	Bearing - ball - first motion	
10G142	10G142	4	Ring - spring - bearing	
			Washer - packing	
10G143	10G143	5	.004" (.1016 mm)	
10G144	10G144	5	.006" (.1524 mm)	
10G145	10G145	5	.010" (.254 mm)	
10G146	10G146SH	6	Washer - plain	
10G147	10G147	7	Washer - lock	
10G148	10G148	8	Nut	
10G149	10G149	9	Lay shaft	
10G150	10G150	10	Lay gear	
		11	Bearing - needle roller	Use 10G152
10G152	10G152	12	Bearing - cage	
10G153	10G153	13	Piece - distance	
10G154	10G154	14	Ring - spring - bearing	
			Washer - thrust	
10G155	10G155	15	Front	
10G156	10G156	16	Rear - .123" to .124" (3.12mm to 3.14mm)	
10G157	10G157	16	Rear - .125" to .126" (3.17mm to 3.20mm)	
10G158	10G158	16	Rear - .127" to .128" (3.22mm to 3.25mm)	
10G159	10G159	16	Rear - .130" to .131" (3.30mm to 3.32mm)	
10G160	10G160	17	Shaft - third motion	
10G161	10G161SH	18	Synchronizer assembly - 3rd and 4th speed	
10G162	10G162	19	Ball - synchronizer	
10G163	10G100	20	Spring - synchronizer	
10G164	10G164	21	Ring - baulk	
			Washer - thrust - front	
10G165	10G165	22	.212" to .213" (5.38mm to 5.41mm)	
10G166	10G166	22	.214" to .215" (5.43mm to 5.46mm)	
10G167	10G167	22	.216" to .217" (5.48mm to 5.51mm)	
10G168	10G168	22	.218" to .219" (5.53mm to 5.56mm)	
10G169	10G169	23	Peg - thrust washer	
10G170	10G170SH	24	Spring - peg	
10G171	10G171	25	Gear - 3rd speed	
10G172	10G172	26	Bush - 3rd speed gear	
10G173	10G173	27	Ring - interlocking	
10G174	10G174	28	Gear - second speed	
10G175	10G175	29	Bush - 2nd speed gear	
10G176	10G176	30	1st speed gear	
10G177	10G162	31	Ball - synchronizer	
10G178	10G100	32	Spring	
10G179	10G179SH	33	Plunger - 2nd speed synchronizer	
10G180	10G180	34	Washer - thrust - rear	
10G181	10G181	35	Ring - baulk	
10G182	10G182SH	36	Bearing - housing	
10G183	10G183SH	37	Peg - locating	
10G184	10G184	38	Bearing - ball - 3rd motion shaft	
10G185	10G142	39	Ring - spring	
			Washer - packing	
10G186	10G143	40	.004" (.1016 mm)	
10G187	10G144	40	.006" (.1524 mm)	
10G188	10G145	40	.010" (.254 mm)	
10G189	10G189SH	41	Piece - distance - 3rd motion shaft	
10G190	10G190	42	Wheel - speedometer	
10G191	10G191SH	43	Washer - plain	
10G192	10G192	44	Washer - lock	
10G193	10G193	45	Nut	
10G194	10G1934SH	46	Shaft - reverse	
10G195	10G195	47	Wheel - reverse	
10G196	10G196	48	Bush	



Part Number	ESM Order Ref.	Illus. No.	Description	Remarks
10G197	Use 10G199	1	Seal - oil	
10G198	10G198	2	Bush	
10G199	10G199	3	Seal - assembly - oil	
10G200	10G200	4	Stud - remote control housing - short	
10G201	10G201	5	Stud - remote control housing - long	
10G202	10G202SH	6	Shaft - control	
10G203	10G203SH	7	Lever - control	
10G204	10G204	8	Peg - lever - locating	
10G205	FIX156	9	Washer - spring - 1/4"	
10G206	10G206	10	Pinion - speedometer	
10G207	10G207SH	11	Bush - assembly - pinion	
10G208	10G208SH	12	Lever - selector - front	
10G209	10G209	13	Bush - selector	
10G210	10G216SH	14	Screw	
10G211	FIX156	15	Washer - spring - 1/4"	
10G212	10G212SH	16	Casing - remote control	
10G213	10G213	17	Gasket - case to extension - front	
10G214	10G214	18	Gasket - case to extension - rear	
10G215	10G215SH	19	Lever - selector - rear	
10G216	10G216SH	20	Screw	
10G217	FIX157	21	Washer - spring - 5/16"	
10G218	10G218SH	22	Shaft - remote control	
10G219	10G219	23	Key	
10G220	10G220	24	Plug - welch	
10G221	10G221SH	25	Plunger - reverse selector	
10G222	10G222	26	Spring - plunger	
10G223	10G223SH	27	Pin - locating - plunger	
10G224	10G224SH	28	Cover - change speed tower - bottom	
10G225	10G225	29	Gasket	
10G226	FIX136	30	Screw - 1/4" UNF x 1/2"	
10G227	FIX156	31	Washer - spring - 1/4"	
10G228	FIX139	32	Nut - 5/16" UNF	
10G229	FIX157	33	Washer - spring - 5/16"	
10G230	10G230	34	Ball - reverse selector plunger	
10G231	10G231	35	Spring	
10G232	10G232SH	36	Plug - reverse plunger	
10G233	10G233	37	Plunger - control shaft damper	
10G234	10G234	38	Spring	
10G235	10G235SH	39	Cap - spring retaining	
10G236	10G236	40	Washer - copper - 7/8" OD	
10G237	10G204	41	Peg - change speed lever - locating	
10G238	FIX156	42	Washer - spring - 1/4"	
10G239	FIX136	43	Screw - 1/4" UNF x 5/8"	
10G240	FIX156	44	Washer - spring - 1/4"	
10G241	10G241	45	Button - thrust	
10G242	10G242	46	Spring	
10G243	10G243	47	Gasket - extension to gearbox	
10G244	FIX136	48	Screw - 1/4" UNF x 7/8"	
10G245	FIX156	49	Washer - spring - 1/4"	
10G247	FIX157	51	Washer - spring - 5/16"	
10G248	10G248SH	52	Lever - change speed	
10G249	10G249	53	Ring - lever	
10G250	10G250	55	Knob	
10G251	10G251SH	56	Cover - change speed lever seat	
10G252	10G252	57	Bolt - gearbox mounting plate - 5/16" UNF	
10G253	FIX157	58	Washer - spring - 5/16"	
10G254	FIX139	59	Nut - 5/16" UNF	
10G255	10G255	60	Grommet	
10G256	10G256	61	Retainer - grommet	
10G257	10G257	62	Screw - No.8 x 1/2" Pozi	
GSK106	10G260	-	Gasket set - gearbox	